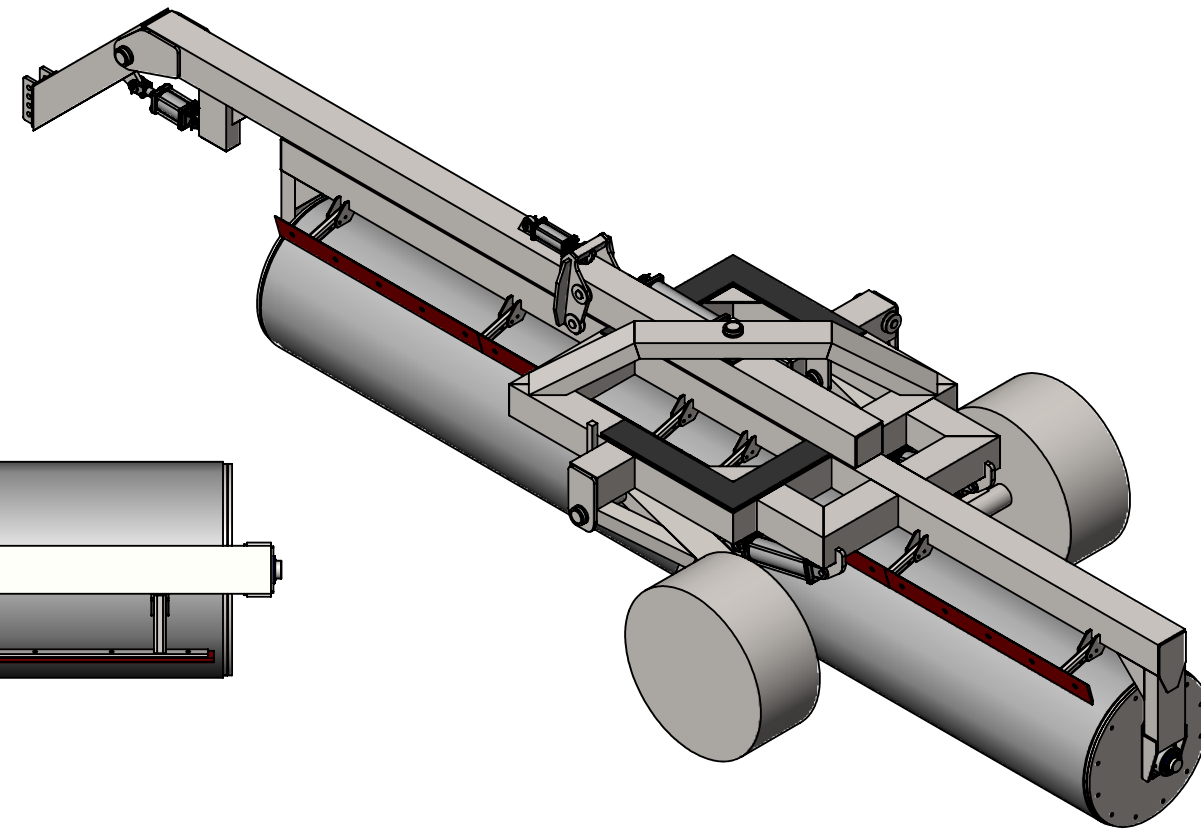
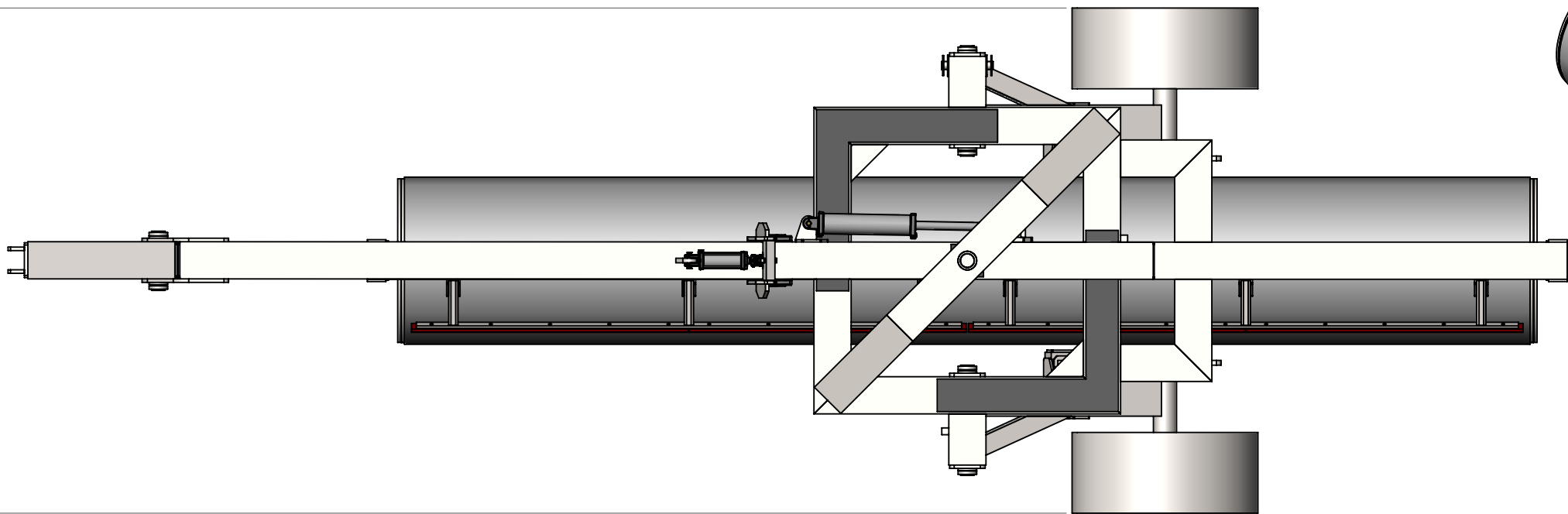
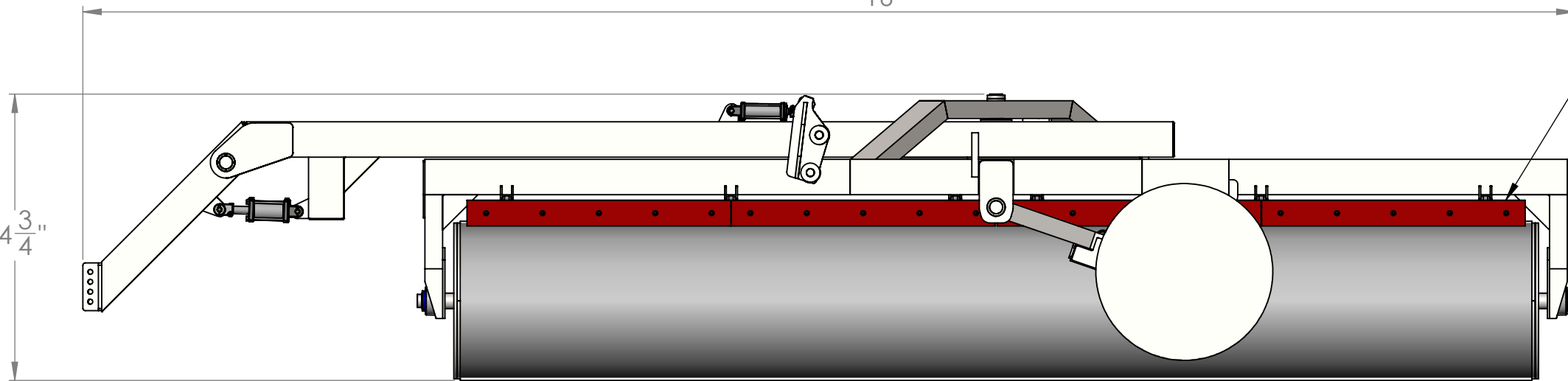


108  $\frac{3}{4}$ "

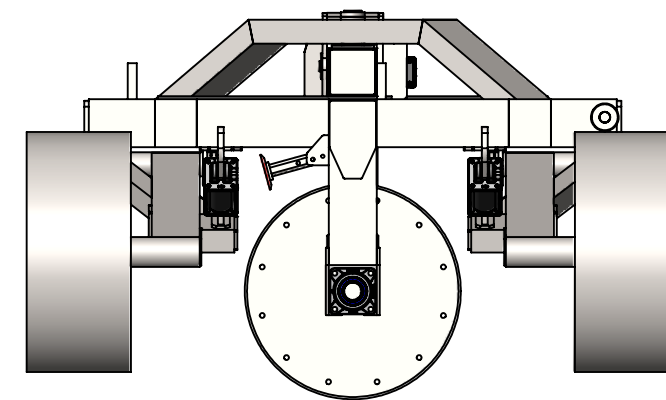


337  $\frac{5}{16}$ "

64  $\frac{3}{4}$ "



**SCRAPER AND MOUNTS OPTIONAL**



PART	SIZE
FRAME	8X8X0.5 CENTER BEAM, 8X8X0.375 CORE/TONGUE, 8X4X0.375 OVERHEAD
RAMS	4" BORE 4" STROKE TONGUE RAM, 2" BORE 6" STROKE ROTATION LOCK RAM, 4.75" BORE 12" STROKE WHEEL CARRY RAMS, 4" BORE 16" STROKE CENTER TWIST RAM
PINS	2 15/16" SOLID ROD WITH 4" OD 0.5" WALL COLLARS



TITLE: 20-FT TWIST ROLLER OVERALL ASSEMBLY

FILE: RT20001

DESIGNER: KURTIS S. DATE: 8/8/2022 PAGE: 34-OF-34